

SUOCCO S500



 **SUOKONE**



WAIKATO TRACTORS LTD

MERITRACTOR

FOREST - CONSTRUCTION - AGRICULTURE

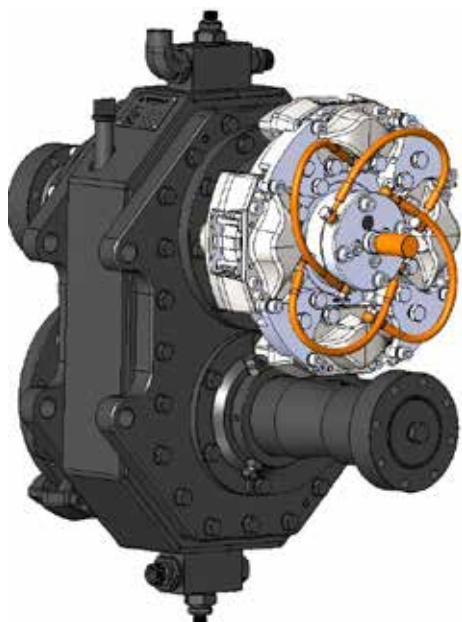
Power and Performance for land clearing

Pictured with
twin rubber tracks.



SUOCCO S500

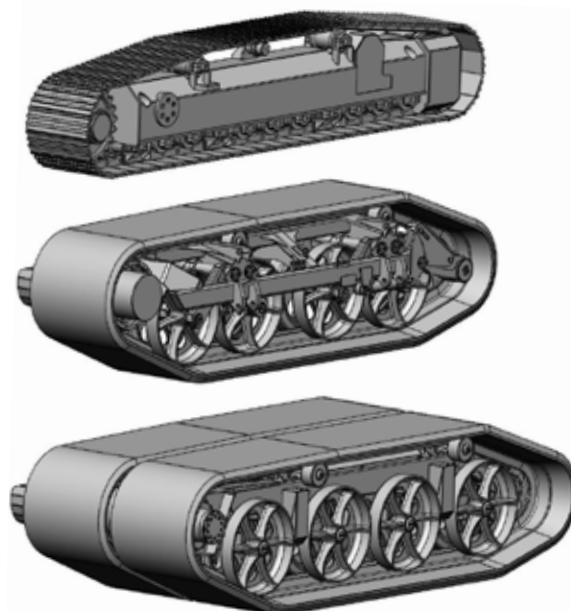
Equipped with mechanical power take-off, the Suocco S500 is the most efficient crawler tractor in the market. The Suocco S500 is able to operate under conditions where conventional tractors lose power and traction. Thanks to adequate engine power, and a mechanical power take off, the S500 enable quicker, more efficient operations, at a lower cost per hectare.



← Suokone made PTO gearbox is specially designed for transmitting high torques safely. The integrated POC clutch works as an overload/release clutch. The APTOR system switches PTO to neutral if the defined sliding % is exceeded.

Modular structure → enable the use of different track systems:

- steel tracks
- single rubber tracks
- twin rubber tracks



SPECIFICATIONS

ENGINE

Model	VOLVO TAD 1643 VE
	6 cylinders, volume 984CU.In (16.12 ltr)
Power	768 hp (565 kW)
Torque	3263 Nm (1500 rpm)

DRIVE TRANSMISSION

2-speed with stepless variation. 2 piston pumps.	
Tractive power	570 hp (420 kW)
Tractive force	40000 lbs (180kN)
Travel speed, area 1	0-6 mph (0-10 km/h)
Travel speed, area 2	0-12 mph (0-20 km/h)

TRACKS

Modular structure	detachable
Single rubber tracks	width: 31,5 In. (800mm)
Twin rubber tracks	width: 2 x 31,5 In. (800mm)
Steel tracks	width: 24-28-31,5 In. (600-700-800mm)

CONNECTION OF EQUIPMENT

3-point linkage	KAT III - IV
Lifting capacity	19980 lbs. (9000 kg)
PTO speed	1000 rpm
PTO capacity	816 hp (600 kW)

SERVICEABILITY

Hydraulic oil tank	69 gal. (260 ltr.)
Fuel Tank	160 gal. (600 ltr.)
Cooling capacity	16 gal. (60 ltr.)

ELECTRIC VOLTAGE

Voltage	24 V
Batteries	2 x 225 Ah

DIMENSIONS

	Single tracks	Twin rubber tracks
Height	146 In. (3700mm)	146 In. (3700mm)
Length	193 In. (4900mm)	193 In. (4900mm)
Width	122 In. (3100mm)	181 In. (4600mm)
Weight	35520 lbs. (16000kg)	45510 lbs. (20500kg)
Ground pressure	3.7 Psi (260g/cm ²)	2.4 Psi (170g/cm ²)

We reserve the right to change specifications or modify the design without notice.

DISTRIBUTION & SALES IN NEW ZEALAND



Contact Ben Peters for more information
ben@waikatotracors.co.nz or Phone 027 243 1750

MANUFACTURER



SUOKONE OY
88610 Vuokatti, Finland
+358 8 66 62 011
suokone@suokone.com
www.suokone.com