

MJ-SERIES



 **SUOKONE**



WAIKATO TRACTORS LTD

MERI **CRUSHER**

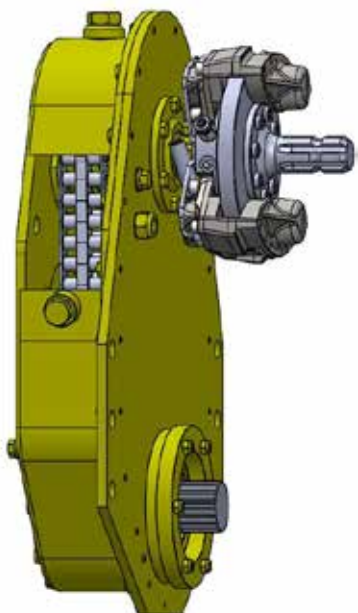
FOREST - CONSTRUCTION - AGRICULTURE

Crushing superiority all year round



MULTIPURPOSE CRUSHER FOR PROFESSIONALS

MERICRUSHER land clearing crushers are high quality, durable and cost-effective crushers for demanding professionals. MJ-series MeriCrushers are ideal for a wide power range of tractors (60–150 hp), working in the conditions where light weight and durability are paramount.



Suokone made side chain gear is designed for heavy use and easy maintenance. POC clutch protects the transmission line all the way through.



Hydraulic push bar and rear roller make the crushing effective. Bar helps felling the trees and roller holds them against the ground and levels the crushed surface.



STD rotor C/W special conical tips, work ideally at medium rotor speed. Intrechangeable counter blade gives very good crushing results.



MeriCrushers can also be supplied with hydraulic transmission.

MODEL	Power range (hp)		Rotor diameter mm/inch	Rotor width mm/inch	Overall width mm/inch	Weight kg/lbs	Working depth max. mm/inch	Teeth qty
	min	max						
MJ-1.4 ST	50	90	400 / 16	1350 / 53	2800 / 110	745 / 1654	200 / 8	54
MJ-1.8 ST	70	90	400 / 16	1750 / 69	2200 / 87	1070 / 2375	200 / 8	70
MJ-1.8 DT	90	150	400 / 16	1750 / 69	2200 / 87	1265 / 2810	200 / 8	70
MJ-2.3 ST	90	100	400 / 16	2250 / 89	2700 / 106	1265 / 2810	200 / 8	90
MJ-2.3 DT	90	150	400 / 16	2250 / 89	2700 / 106	1510 / 3352	200 / 8	90

The given weights can vary due to the options chosen. ST-single transmission. DT-dual transmission.

DISTRIBUTION & SALES IN NEW ZEALAND



Contact Ben Peters for more information
ben@waikatotracors.co.nz or Phone 027 243 1750

MANUFACTURER



SUOKONE OY
88610 Vuokatti, Finland
+358 8 66 62 011
suokone@suokone.com
www.suokone.com